

Standard Resolution Colour Dome Camera

DM36SP-K



Key Features

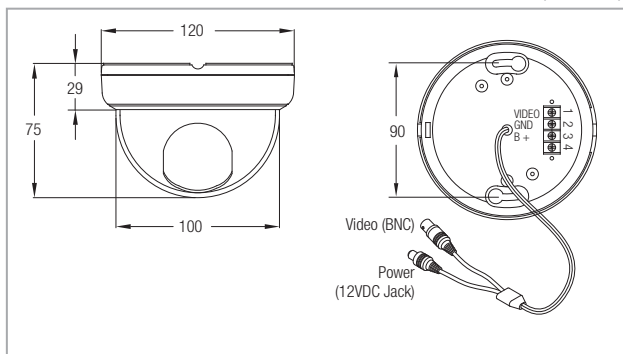
- 1/4" SHARP CCD
- Standard Resolution 420 TV Lines
- 3.6mm Fixed Lens
- Stylish Compact Casing
- 0.1 Low Lux
- Made in Korea

Specifications

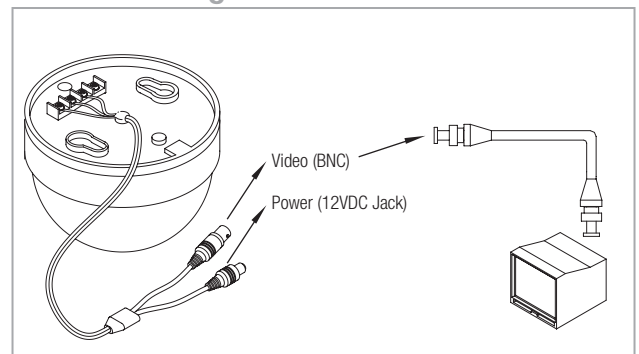
Brand	TANDER
Model	DM36SP-K
Image Pick-up Devive	1/4" SHARP CCD
Signal System	PAL
Total /Effective Pixels	537(H)x 597(V) 320K
Scanning System	2 : 1 Interlace
Lens	3.6 mm fixed lens
Scanning Frequency	50Hz(VD)
Resolution	420 TV lines
Video Output	CVBS : 1.0Vp-p / 75Ω
S / N Ratio	More than 48dB
Min. Illumination	0.1Lux
Sync. System	Internal
Signal Process	Digital Signal Processing
Back Light Compensation	Built-in
Gain Control	Auto
Electronic Shutter Speed	Auto / (1/50 ~ 1/100,000)
White Balance	Auto
Power Source	12V DC ±10%
Power Consumption	Max. 1.4W
Monitoring Angle	Panning : Manual 0° ~ 340° / Tilting : Manual 30° ~ 90°
Operating Temperature	-10°C ~ +50°C
Operating Humidity	0% ~ 80% RH
Dimension	108(ø) x 80(H)mm
Weight	280g
Country Of Origin	Korea

Dimensions

(UNIT: mm)



Connection Diagram



TANDER®