

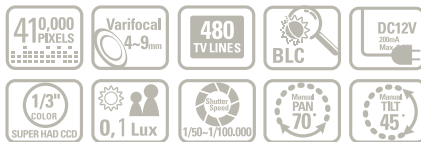
# High Resolution Vari Focal Colour Dome Camera

## DMH49SN-K



### Key Features

- 1/3" SONY SuperHAD CCD
- High Resolution 480 TV Lines
- 4-9mm Vari Focal Auto Iris Lens
- Stylish Compact Casing
- 0.1 Low Lux
- Made in Korea

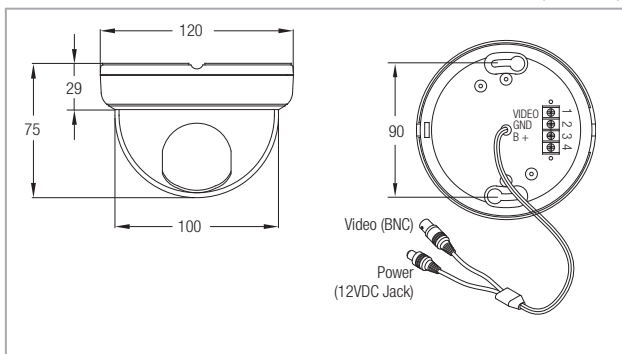


### Specifications

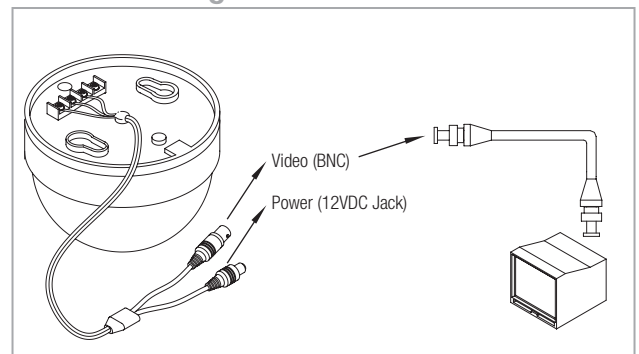
|                          |   |
|--------------------------|---|
| Brand                    | TANDER  |
| Model                    | DMH49SN-K   |
| Image Pick-up Devise     | 1/3" SONY Super HAD CCD                                 |
| Signal System            | PAL   |
| Total /Effective Pixels  | 537(H)x 597(V) 320K                                     |
| Scanning System          | 2 : 1 Interlace   |
| Lens                     | 4-9mm Vari Focal Auto Iris Lens                         |
| Scanning Frequency       | 50Hz(VD)  |
| Resolution               | 480 TV lines  |
| Video Output             | CVBS : 1.0Vp-p / 75Ω                                    |
| S / N Ratio              | More than 48dB  |
| Min. Illumination        | 0.1Lux  |
| Sync. System             | Internal  |
| Signal Process           | Digital Signal Processing                               |
| Back Light Compensation  | Built-in  |
| Gain Control             | Auto  |
| Electronic Shutter Speed | Auto / (1/50 ~ 1/100,000)                               |
| White Balance            | Auto  |
| Power Source             | 12V DC ±10%   |
| Power Consumption        | Max. 1.4W   |
| Monitoring Angle         | Panning : Manual 0° ~ 340° / Tilting : Manual 30° ~ 90° |
| Operating Temperature    | -10°C ~ +50°C   |
| Operating Humidity       | 0% ~ 80% RH   |
| Dimension                | 108(ø) x 80(H)mm  |
| Weight                   | 280g  |
| Country Of Origin        | Korea   |

### Dimensions

(UNIT: mm)



### Connection Diagram



**TANDER®**